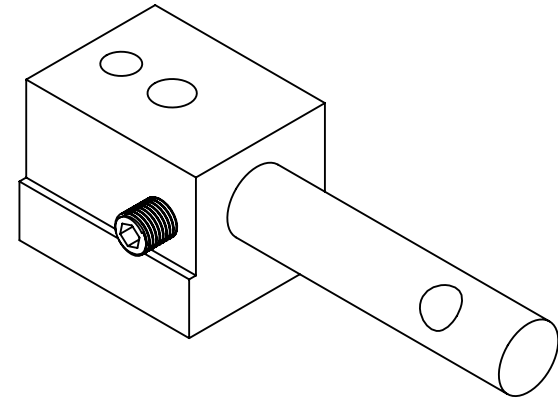
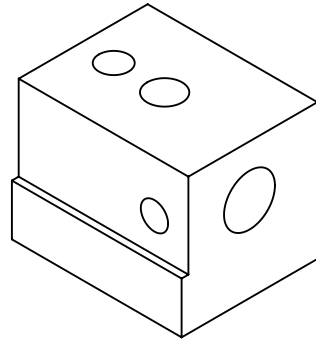
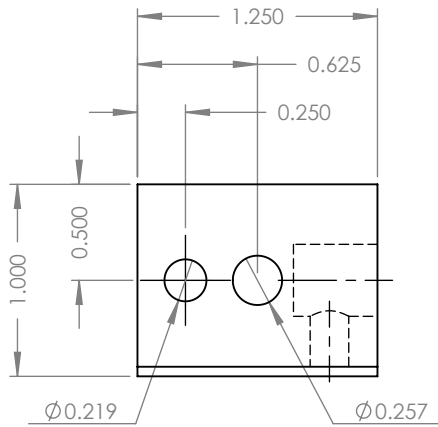
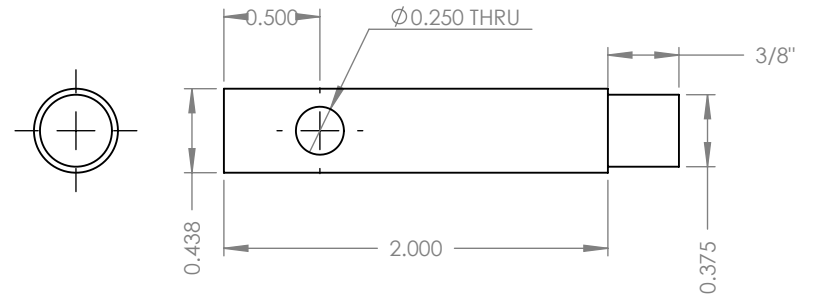
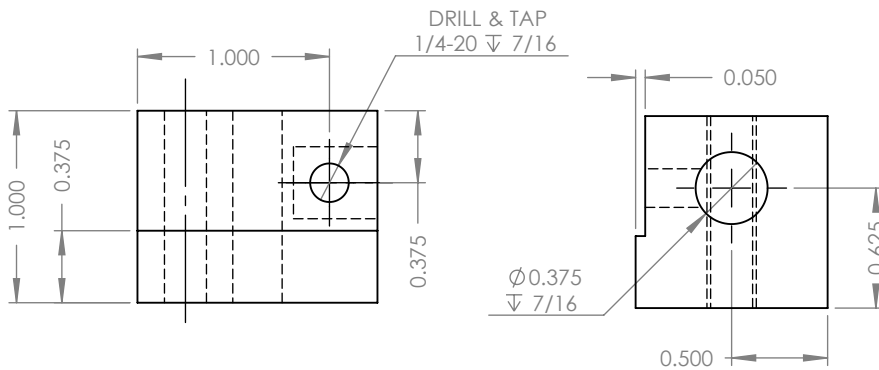


1 TAP GUIDE BODY

BLUE CERTIFICATION



2 TAP HANDLE



PROPRIETARY AND CONFIDENTIAL
 THE INFORMATION CONTAINED IN THIS DRAWING IS THE SOLE PROPERTY OF <INSERT COMPANY NAME HERE>. ANY REPRODUCTION IN PART OR AS A WHOLE WITHOUT THE WRITTEN PERMISSION OF <INSERT COMPANY NAME HERE> IS PROHIBITED.

		UNLESS OTHERWISE SPECIFIED:	NAME	DATE	TITLE: BLUE CERTIFICATION TAP GUIDE		
		DIMENSIONS ARE IN INCHES	DRAWN	R. EPSTEIN			2/18/08
		TOLERANCES: FRACTIONAL ±	CHECKED				
		ANGULAR: MACH ± BEND ±	ENG APPR.				
		TWO PLACE DECIMAL ± 0.03 THREE PLACE DECIMAL ± 0.005	MFG APPR.				
		INTERPRET GEOMETRIC TOLERANCING PER:	Q.A.			SIZE A DWG. NO. BLUE CERTIFICATION REV 1	
		MATERIAL STEEL (PROVIDED)	COMMENTS:				
		FINISH					
NEXT ASSY	USED ON	APPLICATION	DO NOT SCALE DRAWING			SCALE: 1:1	