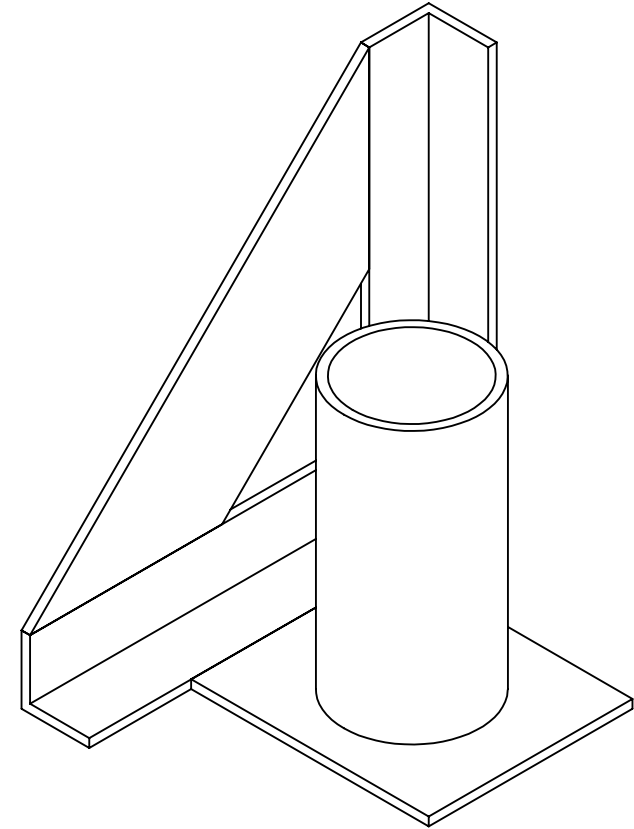
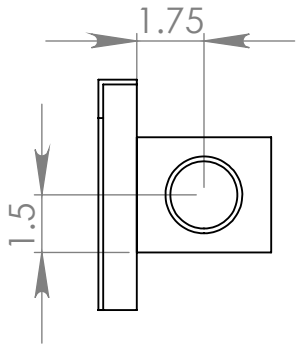
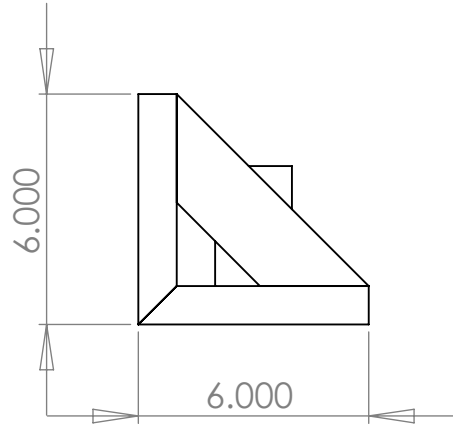
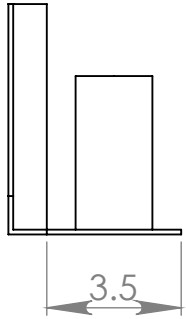


PROPRIETARY AND CONFIDENTIAL
 THE INFORMATION CONTAINED IN THIS DRAWING IS THE SOLE PROPERTY OF <INSERT COMPANY NAME HERE>. ANY REPRODUCTION IN PART OR AS A WHOLE WITHOUT THE WRITTEN PERMISSION OF <INSERT COMPANY NAME HERE> IS PROHIBITED.

		UNLESS OTHERWISE SPECIFIED:		NAME	DATE	TITLE: ORANGE CERTIFICATION BOOK END		
		DIMENSIONS ARE IN INCHES TOLERANCES: 1/8" FRACTIONAL ± 1/8" ANGULAR: MACH ± BEND ± TWO PLACE DECIMAL ± 0.125 THREE PLACE DECIMAL ±		DRAWN	P. Reilly			3/8/11
				CHECKED				
				ENG APPR.				
				MFG APPR.				
		INTERPRET GEOMETRIC TOLERANCING PER:		Q.A.				
		MATERIAL STEEL (PROVIDED)		COMMENTS:				
		FINISH				SIZE A	DWG. NO.	REV
NEXT ASSY	USED ON					ORANGE CERTIFICATION		
APPLICATION		DO NOT SCALE DRAWING		SCALE: 1:2		WEIGHT:	SHEET 1 OF 1	



PROPRIETARY AND CONFIDENTIAL
 THE INFORMATION CONTAINED IN THIS DRAWING IS THE SOLE PROPERTY OF <INSERT COMPANY NAME HERE>. ANY REPRODUCTION IN PART OR AS A WHOLE WITHOUT THE WRITTEN PERMISSION OF <INSERT COMPANY NAME HERE> IS PROHIBITED.

		UNLESS OTHERWISE SPECIFIED:		NAME	DATE	TITLE: Orange Certification Book End - RH
		DIMENSIONS ARE IN INCHES TOLERANCES: FRACTIONAL ± ANGULAR: MACH ± BEND ± TWO PLACE DECIMAL ± THREE PLACE DECIMAL ±	DRAWN			
		INTERPRET GEOMETRIC TOLERANCING PER:	CHECKED			SIZE DWG. NO. REV A OrangeCert_DWG2_RH A
		MATERIAL Steel	ENG APPR.			
NEXT ASSY	USED ON	FINISH Plain	MFG APPR.			SCALE: 1:5 WEIGHT: SHEET 1 OF 1
APPLICATION		DO NOT SCALE DRAWING	Q.A.			
			COMMENTS:			